

Technical Data Sheet Aluminium Roof Edge Trim

Product Description / Use:

Aluminium Roof Edge trims, precision extruded in aluminium alloy, are designed to give a professional roof edge finish when used with MOY reinforced bitumen felt roofing systems.

System Fire Testing:

Aluminium Roof Edge trims are used purely as detail items within reinforced bitumen felt systems.

The complete roof build-up should be tested to CEN/TS 1187:2012 and classified accordingly in accordance with BS EN 13501-5 (B_{ROOF} t1, t2, t3, t4) for the relevant country and the local building regulations, standards and codes of practice.

Application:

Aluminium trims should be fixed by means of Cadium or Galvanised nails or screws at not more than 300mm centres with the ends of each length firmly secured. A minimum of eight fixings per length is recommended. A gap of 3mm should be left between each length to allow for expansion.

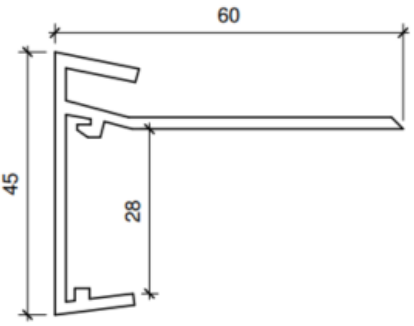
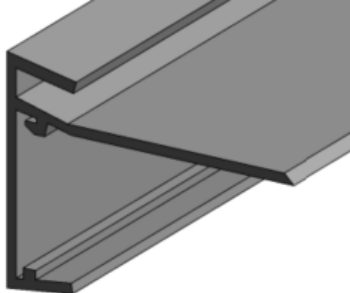
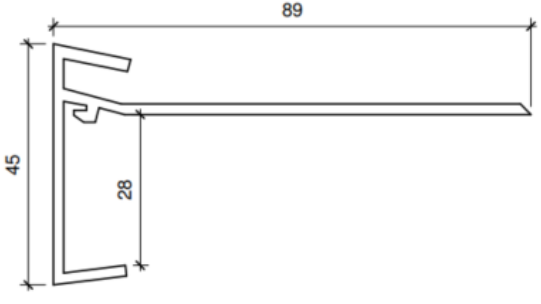
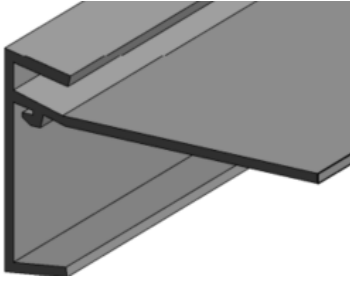
Priming of the fixing leg is recommended.



Delivery form:

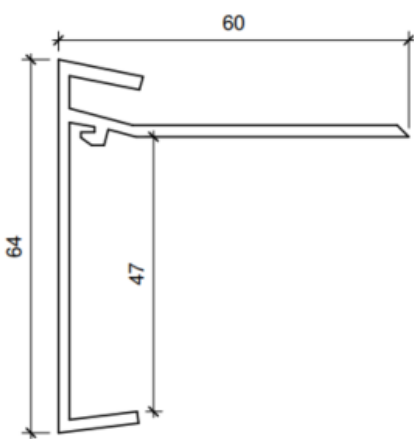
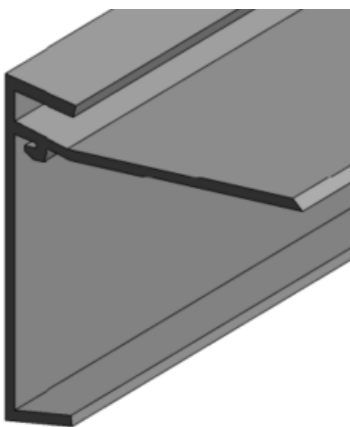
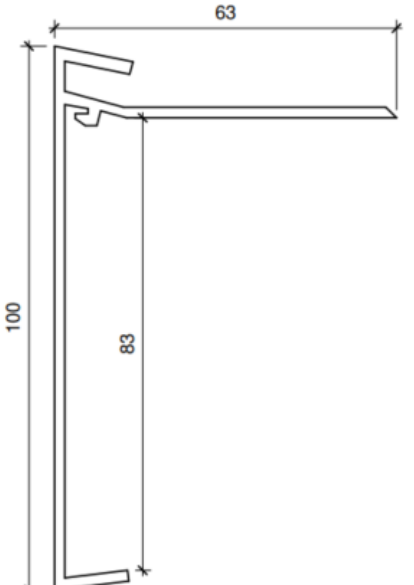
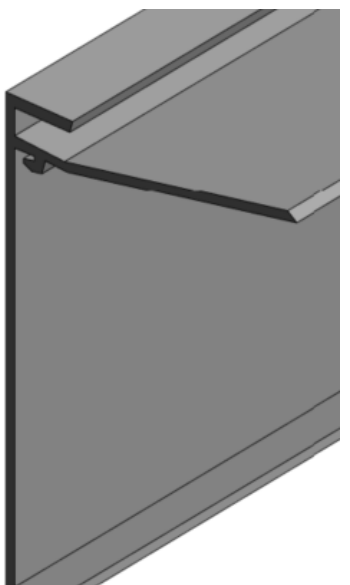
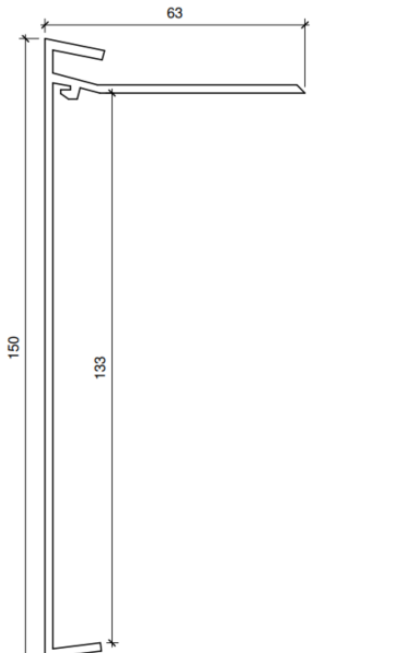

All sections are supplied in 2.5m lengths together with internal jointing sleeves. Factory-made internal and external angles (200mm x 200mm) are available for all sections. One jointing spigot per length of trim plus one per angle are supplied free of charge.

Product Range:

Type AF1		
Type AF1/L		

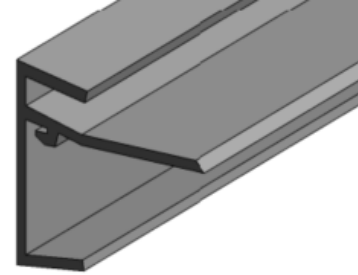
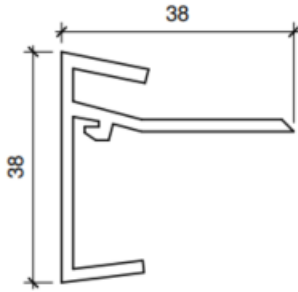


Technical Data Sheet Aluminium Roof Edge Trim

Type AF2		
Type AF10		
Type AF15		

Technical Data Sheet Aluminium Roof Edge Trim

Type FS3



Storage:

Stored in their original packaging, in a horizontal position and under cool and dry conditions. They must be protected from direct sunlight, rain, snow and ice.