

## Technical Data Sheet Aluminium Roof Termination Bar

### Product Description / Use:

Roof termination bars are aluminium bars used as a mechanical restraint at the top of an upstand or in other details where appropriate, when used in conjunction with MOY Waterproofing Systems.

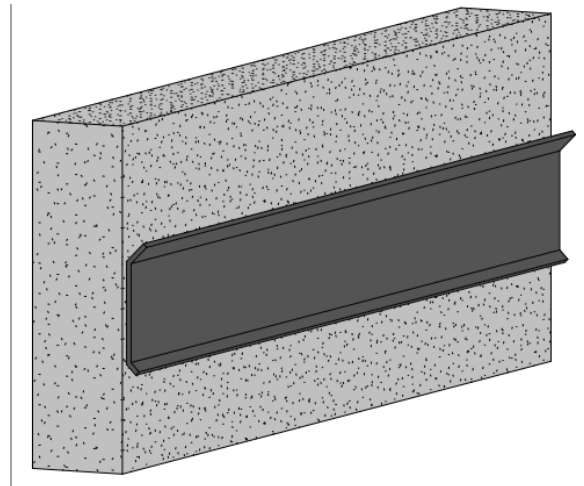
Aluminium termination bars resist corrosion and the extremes of atmospheric pollution and require the minimum of maintenance.

### Application:

Termination bars should be fixed by means of suitable self-sealing screws at not more than 300mm centres with the ends of each length firmly secured. A minimum of 8 fixings per length is required. Top edges and joints should be finished with a suitable mastic \*.

\* Mastic Sealant is a 10-year maintenance item - consult MOY Technical Services for guidance.

### Product Range:



### Delivery form:

All sections are supplied in 2.5m lengths.

### Storage:

Stored in their original packaging, in a horizontal position and under cool and dry conditions. They must be protected from direct sunlight, rain, snow and ice.

MOY Materials Ltd has taken care to ensure that the information provided in the literature is correct and up to date. However, it is not intended to form any part of a contract or provide a guarantee. Purchasers/intending purchasers should contact MOY Technical to check whether there have been any changes to the information since publication of the literature. Please ensure you have read the hazard labels and material safety data sheet before using this product.

