

## Technical Data Sheet GRP Roof Termination Bar

### Product Description / Use:

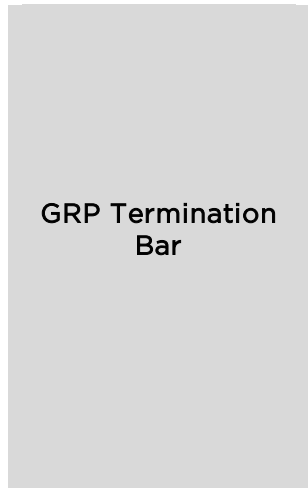
GRP roof termination bars are pultruded glass reinforced polyester bars used as a mechanical restraint at the top of an upstand, when used in conjunction with MOY Waterproofing Systems.

GRP termination bars are self-coloured in black, resist corrosion and the extremes of atmospheric pollution and require the minimum of maintenance.

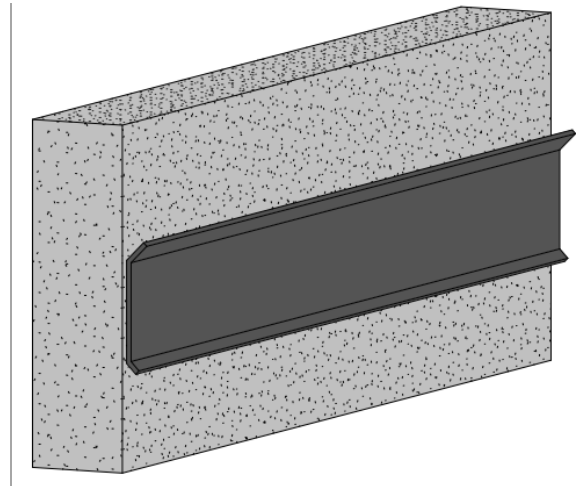
### Application:

GRP termination bars should be fixed by means of suitable self-sealing screws at not more than 300mm centres with the ends of each length firmly secured. A minimum of 8 fixings per length is required. Top edges and joints should be finished with a suitable mastic.

### Product Range:



GRP Termination  
Bar



### Delivery form:

All sections are supplied in 2.5m lengths.

### Storage:

Stored in their original packaging, in a horizontal position and under cool and dry conditions. They must be protected from direct sunlight, rain, snow and ice.

