

## Technical Data Sheet MOY IF-70x70 Plate

### Product Use:

Stress plate for insulation securement\* for use with the appropriate fastener for the deck type.

### Description:

Carbon steel, zinc plated. Resistance 15 cycles Kesternich test according to:

- EAD 030351-00-0402, A2.4
- FM Approval Standard 4470

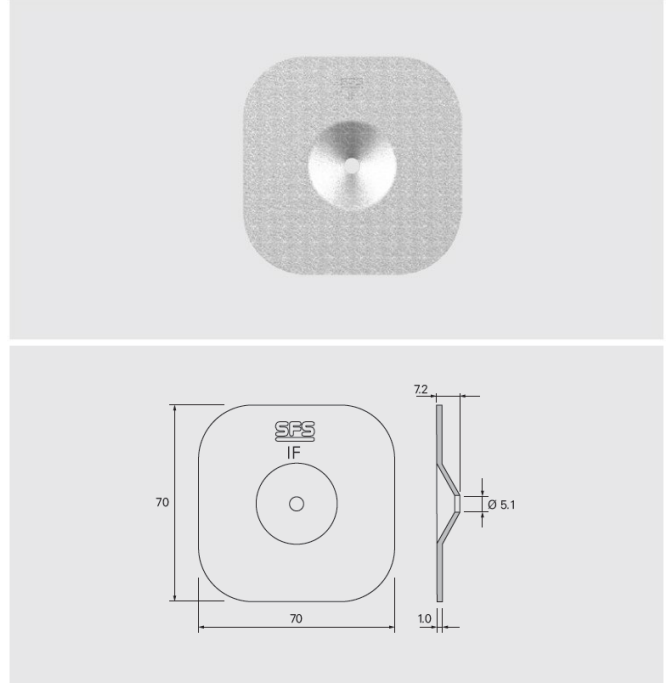
### Certification:



### Product Range:

Code	Pack Quantity	Article Code
IF-70x70	100	25605

Packaging type: cardboard box



### Products to combine with:

Product Code	Description
BS-4,8	Carbon steel fastener for steel deck and timber and timber-based boards.
BS-S-4,8	Stainless steel fastener for steel deck and timber and timber-based boards.

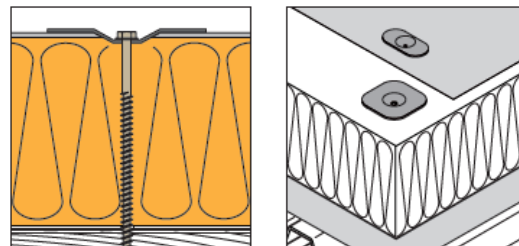


### Installation:

In order to ensure the correct application of the fastener/plate combination into the substrate and to avoid overdriving and/or damage, all plates and fasteners must be installed using only the recommended tooling, including screw guns (with torque setting), drive bars and correct bits etc.

It is recommended that pull-out testing is undertaken by SFS for all refurbishment projects and any concrete deck. This will ensure the suitability of the fastener and additionally will determine the optimum drill diameter and embedment required.

### \*Application:



MOY Materials Ltd has taken care to ensure that the information provided in the literature is correct and up to date. However, it is not intended to form any part of a contract or provide a guarantee. Purchasers/intending purchasers should contact MOY Technical to check whether there have been any changes to the information since publication of the literature. Please ensure you have read the hazard labels and material safety data sheet before using this product.

