

## Technical Data Sheet Spigot or Screw Detail Outlets

### Product Description / Use:

Roof Detail Outlets are a range of rainwater drainage components suitable for the awkward detailing situations that occur in all types of flat roof application.

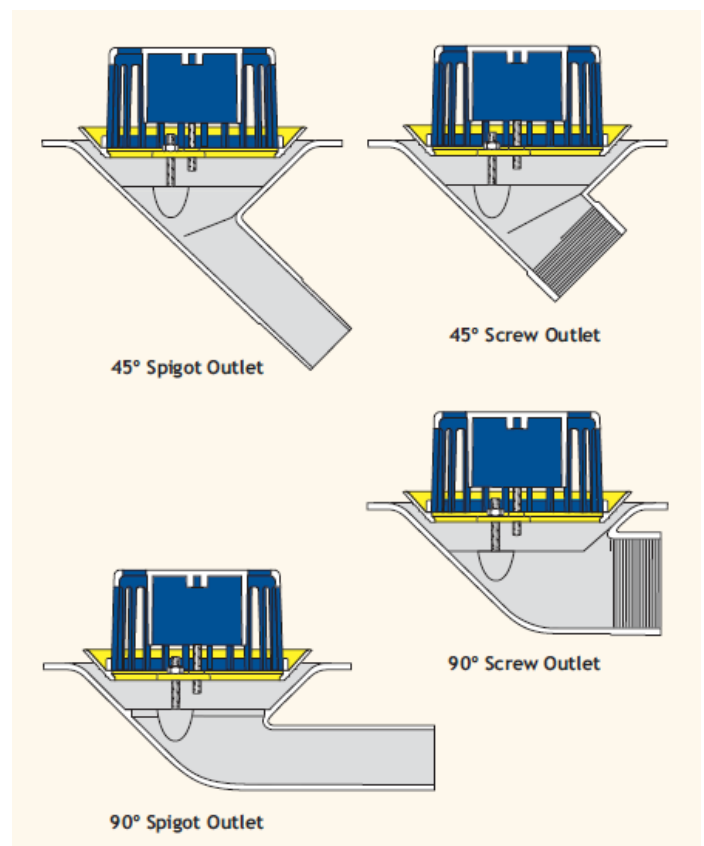
Spigot or Screw Detail Outlets are designed for use on flat roofs with either insitu cast concrete, timber or lightweight metal deck construction and are ideal for connection to continuous waterproofing systems using single ply membranes, high performance built-up felt and liquid applied systems.

### Characteristics:

- Integral and generously proportioned sump ensures an adequate head of water for a steady flow into the rainwater pipe.
- Clamp fixing of the waterproof membrane to the sides of the sump completely eliminates any risk of leakage through capillary action or back pressure.
- Elimination of flashings means there is nothing which might reduce the effective bore of the rainwater pipe and restrict the flow of water.
- Connection to all standard sizes of pipework.

### Areas of Application:

- Spigot or Screw threaded aluminium outlets cast in LM6 aluminium alloy for connection to drainage pipework at 45° and 90°.



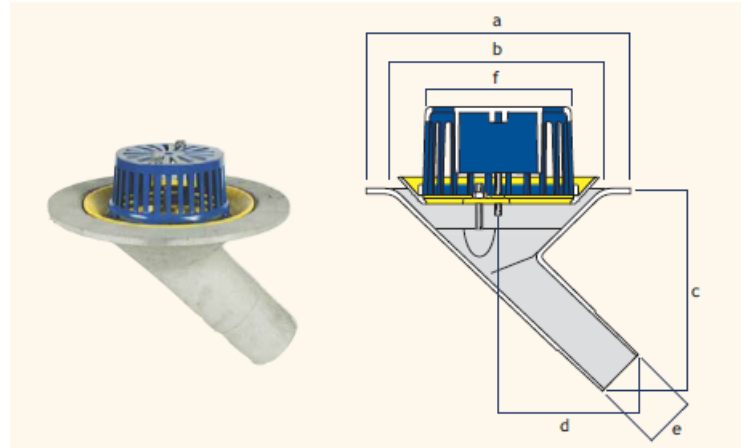
## Technical Data Sheet Spigot or Screw Detail Outlets

### 1) 45° Spigot Outlet - Domical Grate

45° Spigot Outlets are suitable for connection to cast iron pipework to BS EN 877 and BS 416, HDPE pipework and PVC pipe to BS 4514 and BS EN 1329-1.

Use appropriate couplings.

**Flow Rate Note 1** (applies to all tables)  
Flow rates are in litres per second based on flow rate test data. Where tested flow rates are greater than pipe capacity limits of BS EN 12056, the pipe capacity limit has been shown. Contact Technical Services for variable outlet performance to specific depth of water and rainfall intensity.

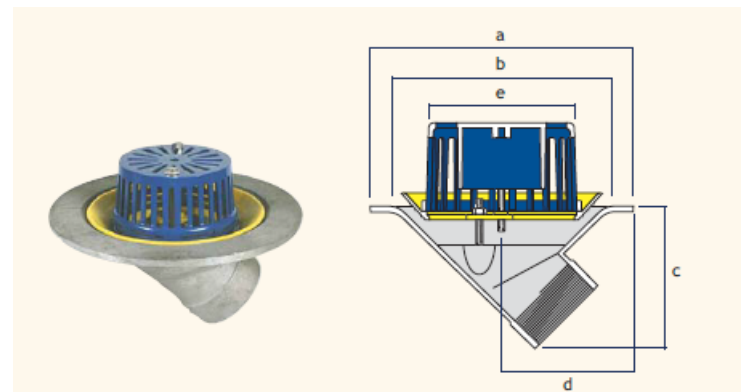


Outlet Size (mm)	a (mm)	b (mm)	c (mm)	d (mm)	e (mm)	f (mm)	Flow Rate <sup>1</sup> (l/s)	Weight (kg)	Product Code
50	305	229	229	175	62	137	1.69	3.6	245
75	305	229	235	175	87	137	4.97	4.2	345
100	372	305	273	191	114	210	10.66	6.0	445

For flat grate versions add suffix /F to the product code (See page 4)  
A range of accessories is available for use with special detail requirements

### 2) 45° Screw Outlet - Domical Grate

45° Screw Threaded Outlets have a female socket with parallel screw thread to BS EN 10226-1 for direct connection to threaded tube conforming with BS EN 10226-1. This tube is supplied with BS EN 10255 taper male thread which ensures a completely watertight joint when screwed home into the socket outlet. Threaded outlets are particularly recommended where a connection to the outlet occurs within the thickness of a concrete slab. In such cases, a threaded connection will create a completely gastight seal within the slab. Roof AV threaded outlets can be connected to socketed and socket less cast-iron pipework, HDPE pipework and PVC pipework by means of the Roof Threaded Spigot Adaptor with appropriate coupling.



Outlet Size (mm)	a (mm)	b (mm)	c (mm)	d (mm)	e (mm)	Flow Rate <sup>1</sup> (l/s)	Weight (kg)	Product Code
50	305	229	159	109	137	1.69	3.8	245T
75	305	229	159	109	137	4.97	3.5	345T
100	372	305	186	113	210	10.71	6.0	445T

For flat grate versions add suffix /F to the product code (See page 4)  
A range of accessories is available for use with special detail requirements

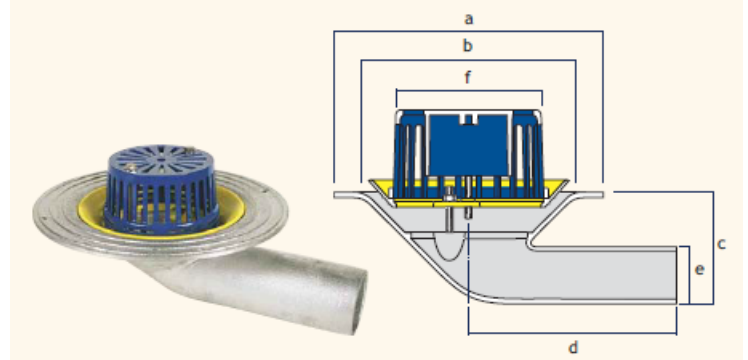
## Technical Data Sheet Spigot or Screw Detail Outlets

### 3) 90° Spigot Outlet - Domical Grate

90° Spigot Outlets are suitable for direct connection to cast iron pipework to BS EN 877 and BS 416, HDPE pipework and PVC O-ring socketed pipe to BS 4514 and BS EN 1329-1.

Use appropriate couplings.

**Flow Rate Note 1** (applies to all tables)  
Flow rates are in litres per second based on flow rate test data. Where tested flow rates are greater than pipe capacity limits of BS EN 12056, the pipe capacity limit has been shown. Contact Technical Services for variable outlet performance to specific depth of water and rainfall intensity.

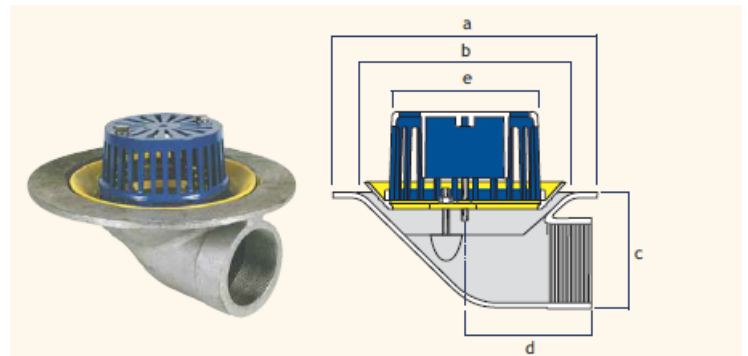


Outlet Size (mm)	a (mm)	b (mm)	c (mm)	d (mm)	e (mm)	f (mm)	Flow Rate <sup>1</sup> (l/s)	Weight (kg)	Product Code
50	305	229	124	232	62	137	1.69	4.0	290
75	329	229	121	267	83	137	3.31	3.8	390
100	405	305	142	285	110	210	7.19	5.5	490

For flat grate versions add suffix /F to the product code (See page 4)  
A range of accessories is available for use with special detail requirements

### 4) 90° Screw Outlet - Domical Grate

90° Screw Threaded Outlets have a female socket with parallel screw thread to BS EN 10226-1 for direct connection to threaded tube conforming with BS EN 10226-1. This tube is supplied with BS EN 10255 taper male thread which ensures a completely watertight joint when screwed home into the socket outlet. Threaded outlets are particularly recommended where a connection to the outlet occurs within the thickness of a concrete slab. In such cases, a threaded connection will create a completely gastight seal within the slab. Roof AV threaded outlets can be connected to socketed and socket less cast-iron pipework, HDPE pipework and PVC pipework by means of the Roof Threaded Spigot Adaptor with appropriate coupling.



Outlet Size (mm)	a (mm)	b (mm)	c (mm)	d (mm)	e (mm)	Flow Rate <sup>1</sup> (l/s)	Weight (kg)	Product Code
50	305	229	127	140	137	1.69	3.9	290T
75	305	229	127	140	137	3.39	3.7	390T
100	356	305	172	152	210	7.29	5.5	490T
150	356	305	225	152	210	10.01	7.0	690T

For flat grate versions add suffix /F to the product code (See page 4)  
A range of accessories is available for use with special detail requirements

## Technical Data Sheet Spigot or Screw Detail Outlets

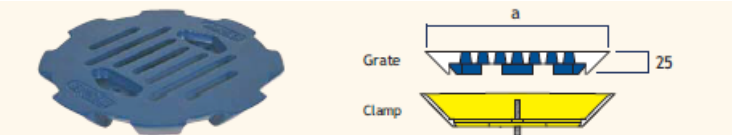
### a) Flat Grate

Flat grates should be used if the outlet occurs in an area which is subject to pedestrian traffic.

These grates are also designed for use with Modulock drainage system where concealed rainwater outlets are used.

To specify or order, add suffix /F to the product codes on previous page.

a)




Outlet Size (kg)	a	Flow Rate (l/s) <sup>1</sup>	Load Rating (tonne)	Weight (kg)	Suffix
50	200	1.69	1.5	0.8	/F
75	200	4.97	1.5	0.8	/F
100	270	10.71	1.5	1.2	/F
150	270	15.55	1.5	1.2	/F

### b) Terrace Grates

Terrace Grates are designed for installation in terrace tiles or brick paviors. They should be used in connection with Grate Extension Pieces which raise the Terrace Grate to the level of the paved surface. The radius slots in the grate allow for movement through 90° permitting adjustment to suit surrounding paving prior to final tightening.

b)




Outlet Size (mm)	a (mm)	b (mm)	Flow Rate <sup>1</sup> (l/s)	Load Rating (tonne)	Weight (kg)	Product Code
50	150	25	1.69	1.5	0.7	2/3TG
75	150	25	4.97	1.5	0.7	2/3TG
100	232	25	10.71	1.5	1.6	4/6TG
150	232	25	15.55	1.5	1.6	4/6TG

### c) Grate Extension Pieces

Grate Extension Pieces are for applications where it is necessary to raise the level of the grate above the body of the outlet such as in inverted roof construction.

The Grate Extension Pieces will accept domical grates and terrace grates but not standard flat grates. Terrace Grates can be used only in connection with grate extension pieces. The extension pieces can be cut down if necessary to suit the thickness of paving or tiles. This can be done easily on site with a hacksaw, or, if required, extension pieces can be trimmed prior to delivery.

c)



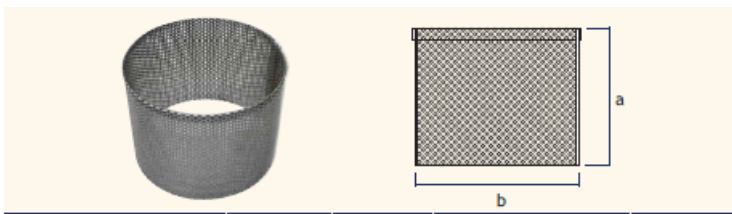
Outlet Size (mm)	a (mm)	b (mm)	c (mm)	Weight (kg)	Product Code
50	161	150	128	0.7	2/3EP
75	161	150	128	0.7	2/3EP
100	233	222	128	1.3	4/6EP
150	233	222	128	1.3	4/6EP

Grate Extension Pieces are supplied with one set of stainless steel extension studs per outlet

### d) Gravel Guard

Made of stainless steel, the Gravel Guard is used with Domical Grates on roofs with gravel finish to prevent ingress of insulation and gravel into the outlet. Other heights are available to order.

d)



Outlet Size (nominal)	a (mm)	b (mm)	Weight (kg)	Product Code
Medium Sump	150	200	0.5	C4/GG/15
Medium Sump	200	200	0.6	C4/GG/20
Large Sump	150	305	0.8	C6/GG/15
Large Sump	200	305	0.9	C6/GG/20

MOY Materials Ltd has taken care to ensure that the information provided in the literature is correct and up to date. However, it is not intended to form any part of a contract or provide a guarantee. Purchasers/intending purchasers should contact MOY Technical to check whether there have been any changes to the information since publication of the literature. Please ensure you have read the hazard labels and material safety data sheet before using this product.