

Technical Data Sheet MOY TIA-T25-6,3 Fastener

Product Use:

Adjustable 6,3mm diameter carbon steel fastener for waterproof membrane and tapered insulation securement in combination with sleeves R50, R75 and FI-R-20 on concrete decks*.

Description:

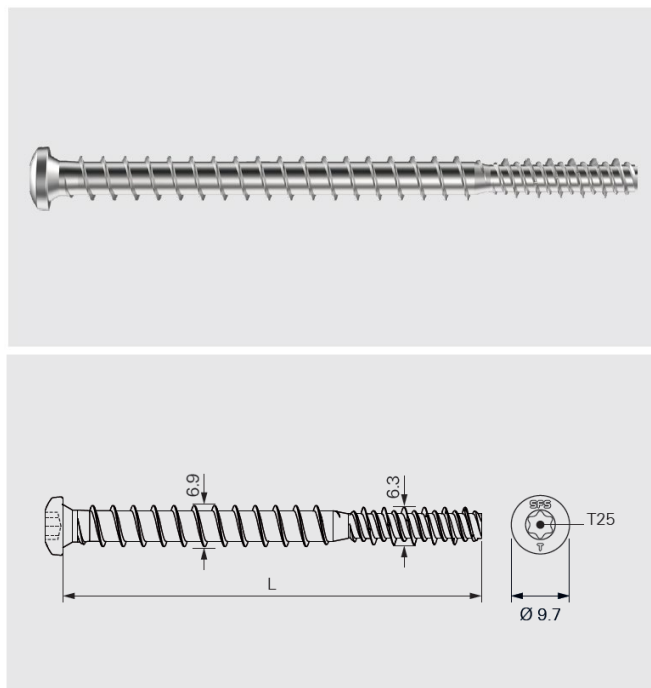
Case hardened carbon steel. Durocoat® corrosion protection. Resistance 15 cycles Kesternich test according to:

- EAD 030351-00-0402, A2.4
- FM Approval Standard 4470

Features and Benefits:

- Adjustable fastening system for tapered insulation
- Fewer product combinations required
- Reduced drilling required - saves time and cost
- Only 20 mm setting depth required, ideal for thin concrete decks
- High quality corrosion protection, environmentally friendly, free of Chromium VI

Certification:



Fastener Product Range:

Code	L _{mm}	Pack Quantity	Article Code
TIA-T25-6,3×70	70	250	1047749
TIA-T25-6,3×90	90	250	1047751
TIA-T25-6,3×120	120	250	1047753
TIA-T25-6,3×150	150	250	1047755

Packaging type: cardboard box





Technical Data Sheet MOY TIA-T25-6,3 Fastener

Sleeve type	Sleeve length	TIA-T25-6,3x70		TIA-T25-6,3x90		TIA-T25-6,3x120		TIA-T25-6,3x150	
		Clamping length KL		Clamping length KL		Clamping length KL		Clamping length KL	
		min.	max.	min.	max.	min.	max.	min.	max.
R50, R75	65	75	95	85	115	115	145	145	175
R50, R75	85	95	115	95	135	115	165	145	195
R50, R75	105	115	135	115	155	115	185	145	215
R50, R75	135	145	165	145	185	145	215	145	245
R50, R75	165	175	195	175	215	175	245	175	275
R50, R75	185	195	215	195	235	195	265	195	295
R50, R75	225	235	255	235	275	235	305	235	335
R50, R75	255	265	285	265	305	265	335	265	365
R50, R75	285	295	315	295	335	295	365	295	395
R50	325	335	355	335	375	335	405	335	435
R50	365	375	395	375	415	375	445	375	475
R50	405	415	435	415	455	415	485	415	515
R50	485	495	515	495	535	495	565	495	595
R50	565	575	595	575	615	575	645	575	675
R50	645	655	675	655	695	655	725	655	755
R50	705	715	735	715	755	715	785	715	815
FI-R-20	40	65	70	85	90	115	120	145	155
FI-R-20	70	80	100	85	120	115	150	145	180
FI-R-20	100	110	130	110	150	115	180	145	210
FI-R-20	130	140	160	140	180	140	210	145	240
FI-R-20	160	170	190	170	210	170	240	170	270
FI-R-20	190	200	220	200	240	200	270	200	300
FI-R-20	230	240	260	240	280	240	310	240	340
FI-R-20	300	310	330	310	350	310	380	310	410

All measures in mm

Products to combine with:

Product Code	Description	
R50	Sleeve for waterproof membrane securement. For seam fastening application.	
R75	Sleeve for insulation securement.	

Technical Data Sheet MOY TIA-T25-6,3 Fastener

FI-R-20

Sleeve for waterproof membrane and insulation securement.

For isoweld® field fastening and seam fastening applications.

For use with compatible steel termination bars.



Installation:

In order to ensure the correct application of the tube & fastener combination into the substrate and to avoid overdriving and/or damage, all sleeves and fasteners must be installed using only the recommended tooling, including screw guns (with torque setting), drive bars and correct bits etc.

It is recommended that pull-out testing is undertaken by SFS for all new build and refurbishment projects. This will ensure the suitability of the fastener and additionally will determine the optimum drill diameter and embedment required. Fixing should be directly into the concrete substrate and not into any screed layers.

* Application into concrete:

Substrate material quality:	min. C12/15
Substrate material thickness:	min. 40 mm
Pre-drill diameter:	5.0 mm (subject to pull-out tests). additional diameter drill bits available.
Setting depth:	min. 20 mm into concrete, not screed.
Depth of pilot hole:	min. 15 mm deeper than setting depth.

