

## Technical Data Sheet Two-Way Roof Detail Outlets

### Product Description / Use:

Roof Detail Outlets are a range of rainwater drainage components suitable for the awkward detailing situations that occur in all types of flat roof application.

Two-Way Roof Outlets are designed for applications where an angle is formed by the intersection of vertical and horizontal surfaces (for example, where a balcony or roof meets a parapet wall). They can be installed to provide either vertical or horizontal run-off and are suitable for use with most types of waterproofing membrane.

### Two-Way Roof Detail Outlets:

Two-Way Roof Detail Outlets have a female socket with parallel thread to BS EN 10226-1 for direct connection to threaded tube conforming with BS EN 10226-1. This tube is supplied with BS EN 10255 taper male thread which ensures a completely watertight joint when screwed home into the socket outlet. Screw outlets are particularly recommended where a connection to the outlet occurs within the thickness of a concrete slab. In such cases a threaded connection, achieved by use of a Roof Threaded Spigot Adaptor, will create a completely gas-tight seal within the slab. Two-Way Roof Detail Outlets can be connected to socketed and socket less cast-iron pipework, HDPE pipework and PVC pipework by means of the Roof Threaded Spigot Adaptor with appropriate coupling.



A welded spigot version of the Two-Way Roof Detail Outlet may also be supplied on request.

### Characteristics:

- Integral and generously proportioned sump ensures an adequate head of water for a steady flow into the rainwater pipe.
- Clamp fixing of the waterproof membrane to the sides of the sump completely eliminates any risk of leakage through capillary action or back pressure.
- Elimination of flashings means there is nothing which might reduce the effective bore of the rainwater pipe and restrict the flow of water.
- Connection to all standard sizes of pipework.

### Areas of Application:

- Two-Way screw threaded roof outlets cast in LM6 aluminium alloy for connection to pipework through a parapet. Two-way outlets can be installed to provide either vertical or horizontal take-off, and are particularly suitable for parapet type applications.

### Installation:

Installation and application must be conducted in accordance with MOY installation guidelines, current industry standards and suitability with the roof drainage system must be ensured.



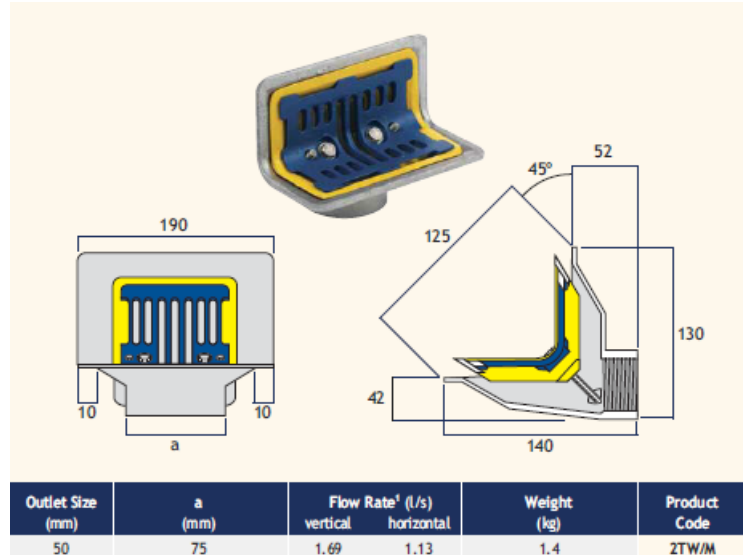
## Technical Data Sheet Two-Way Roof Detail Outlets

### 1) Mini Two-Way Outlet

Specially designed for connection to 50mm pipework in situations where the drainage requirement is small, such as domestic balconies.

Outlet connection is 2" BSP thread.

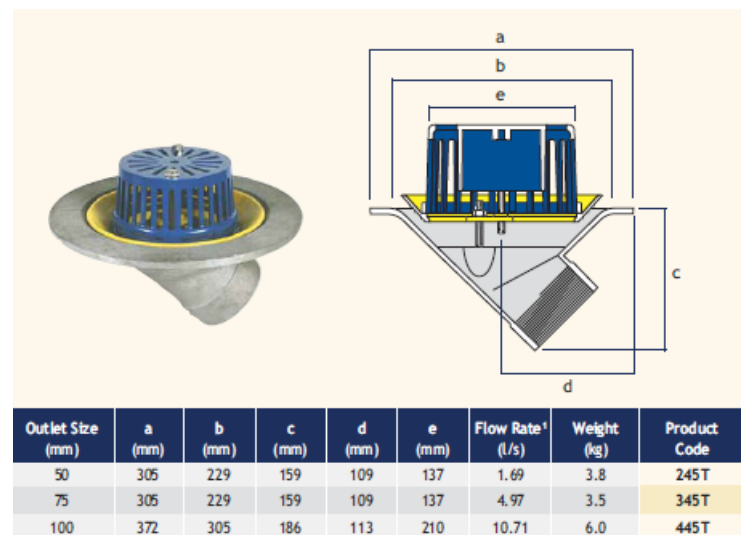
**Flow Rate Note 1 (applies to all tables)**  
Flow rates are in litres per second based on flow rate test data. Where tested flow rates are greater than pipe capacity limits of BS EN 12056, the pipe capacity limit has been shown. Contact Technical Services for variable outlet performance to specific depth of water and rainfall intensity.



### 2) Regular Two-Way Outlet

The Regular Two-Way is designed for use in many applications. The sump is compact yet provides adequate drainage for most parapet applications.

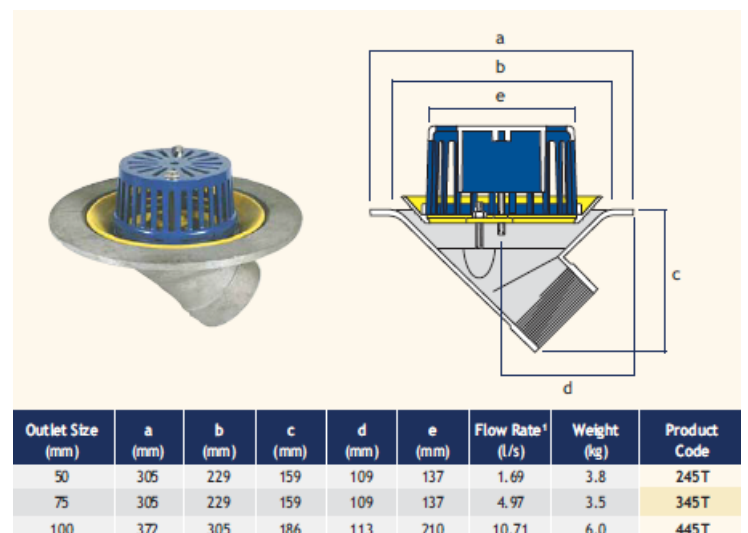
It has three outlet options in 2", 3", and 4" BSP thread.



### 3) Large Two-Way Outlet

The Large Two-Way is designed for use on large surface drainage areas where 150mm outlets are required.

Outlet connection is 6" BSP thread.



MOY Materials Ltd has taken care to ensure that the information provided in the literature is correct and up to date. However, it is not intended to form any part of a contract or provide a guarantee. Purchasers/intending purchasers should contact MOY Technical to check whether there have been any changes to the information since publication of the literature. Please ensure you have read the hazard labels and material safety data sheet before using this product.